

Katrin Bulk Pack Toilet Tissue Dispenser

92582

- Folded toilet tissue dispenser.
- Hygienic - feeds out one sheet at a time (reduces cost in use).
- Inspection window shows when it is time to refill the paper.
- Simple to install, load and maintain.
- Made from ABS Plastic.
- High capacity over 600 folded toilet paper sheets.
- Lockable.



ISO 9001 ISO 14001

Product



x 158 mm
y 307 mm
z 133 mm

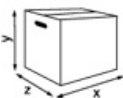


White



0,515 kg

Transport package



x 180 mm
y 320 mm
z 145 mm



1

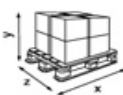


0,729 kg



6414300092582

Pallet information



x 800 mm
y 2360 mm
z 1200 mm



216

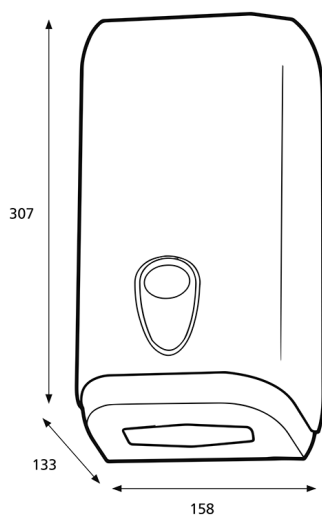


182,614 kg



6414300092599

Dimensions



Positioning guide

